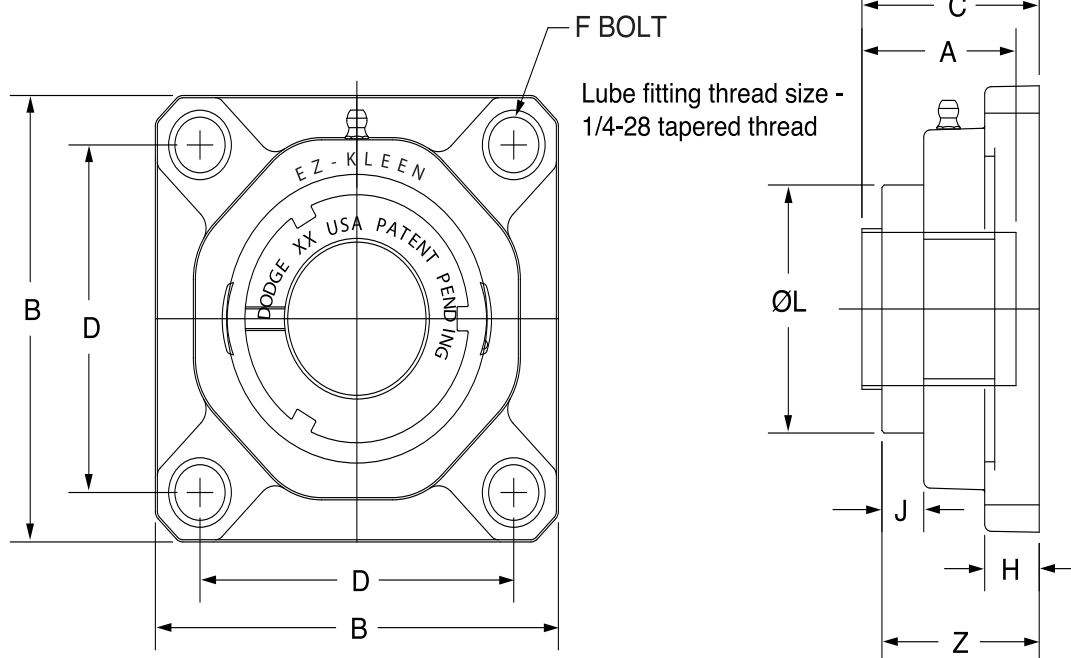
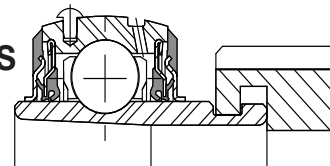




# SELECTION/DIMENSIONS

## E-Z KLEEN Mounted Bearings GTEZ NORMAL DUTY POLYMER HOUSED 4-BOLT FLANGE BEARINGS



Series	Shaft Size	Complete Unit		Unit Without Adapter		Adapter & Nut Assembly	
		Part No.	Description	Part No.	Description	Part No.	Description
204	3/4 20mm	129706	F4B-GTEZ-012-PCR	129541	F4B-GTEZ-04-PCR	129967	AN-GT-04-012-CR
		129707	F4B-GTEZ-20M-PCR			129980	AN-GT-04-20M-CR
205	1 25mm	129708	F4B-GTEZ-100-PCR	129542	F4B-GTEZ-05-PCR	129968	AN-GT-05-100-CR
		129709	F4B-GTEZ-25M-PCR			129981	AN-GT-05-25M-CR
206	1-1/8 1-3/16 1-1/4 30mm	068687	F4B-GTEZ-102-PCR	129543	F4B-GTEZ-06-PCR	129969	AN-GT-06-102-CR
		129710	F4B-GTEZ-103-PCR			129970	AN-GT-06-103-CR
		129711	F4B-GTEZ-104S-PCR			129971	AN-GT-06-104S-CR
		129712	F4B-GTEZ-30M-PCR			129982	AN-GT-06-30M-CR
207	1-1/4 1-3/8 1-7/16 35mm	129713	F4B-GTEZ-104-PCR	129544	F4B-GTEZ-07-PCR	129972	AN-GT-07-104-CR
		@	F4B-GTEZ-106-PCR			129973	AN-GT-07-106-CR
		129714	F4B-GTEZ-107-PCR			129974	AN-GT-07-107-CR
		129715	F4B-GTEZ-35M-PCR			129983	AN-GT-07-35M-CR
208	1-1/2 40mm	129716	F4B-GTEZ-108-PCR	129545	F4B-GTEZ-08-PCR	129975	AN-GT-08-108-CR
		129717	F4B-GTEZ-40M-PCR			129984	AN-GT-08-40M-CR
209	1-11/16 1-3/4 45mm	129718	F4B-GTEZ-111-PCR	129546	F4B-GTEZ-09-PCR	129976	AN-GT-09-111-CR
		064584	F4B-GTEZ-112-PCR			129977	AN-GT-09-112-CR
		129705	F4B-GTEZ-45M-PCR			129985	AN-GT-09-45M-CR
210	1-15/16 2 50mm	129719	F4B-GTEZ-115-PCR	129547	F4B-GTEZ-10-PCR	129978	AN-GT-10-115-CR
		129395	F4B-GTEZ-200-PCR			129979	AN-GT-10-200-CR
		129720	F4B-GTEZ-50M-PCR			129986	AN-GT-10-50M-CR

@ Assembled to order

FEATURES/BENEFITS PAGE B2-3	HOW TO ORDER/NOMENCLATURE PAGE B2-8	SELECTION/DIMENSIONS PAGE B2-24	ACCESSORIES PAGE B2-77
--------------------------------	--	------------------------------------	---------------------------

# SELECTION/DIMENSIONS



## E-Z KLEEN Mounted Bearings GTEZ NORMAL DUTY POLYMER HOUSED 4-BOLT FLANGE BEARINGS

Bearing Reference Guide

ULTRA KLEEN

E-Z KLEEN

Extreme Duty

Setscrew Ball Bearing

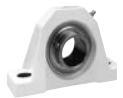
GRIP TIGHT

D-LOK Ball Bearing

Series	Shaft Size	Weight lbs kg	A	B	C#	D	F Bolt Dia.	H	J	L	Z
204	3/4	0.50	1.48	3.38	1.72	2.50	3/8	0.53	0.59	1.50	1.73
	20mm	0.30	37.6	85.9	43.7	63.5	M10	13.5	15.0	38.1	43.9
205	1	0.90	1.46	3.75	1.70	2.75	3/8	0.54	0.58	1.80	1.72
	25mm	0.30	37.1	95.3	43.2	69.9	M10	13.7	14.7	45.7	43.7
206	1-1/8	1.20	1.61	4.25	1.84	3.25	3/8	0.60	0.64	2.08	1.88
	1-3/16										
	1-1/4										
207	30mm	0.50	40.9	108.0	46.7	82.6	M10	15.2	16.3	52.8	47.8
	1-1/4	1.60	1.62	4.65	1.86	3.63	1/2	0.62	0.63	2.38	1.92
	1-3/8	0.70	41.1	118.1	47.2	92.1	M12	15.7	16.0	60.5	48.8
1-7/16											
208	35mm	2.00	1.84	5.12	2.12	4.00	1/2	0.67	0.66	2.62	2.12
	40mm	0.90	46.7	130.0	53.8	101.6	M12	17.0	16.8	66.5	53.8
209	1-11/16	2.30	1.85	5.38	2.12	4.13	9/16	0.72	0.69	2.86	2.15
	1-3/4	1.00	47.0	136.7	53.8	104.8	M14	18.3	17.5	72.6	54.6
45mm											
210	1-15/16	2.30	1.86	5.62	2.26	4.38	5/8	0.76	0.70	3.13	2.29
	2 50mm	1.10	47.2	142.7	57.4	111.2	M16	19.3	17.8	79.5	58.2

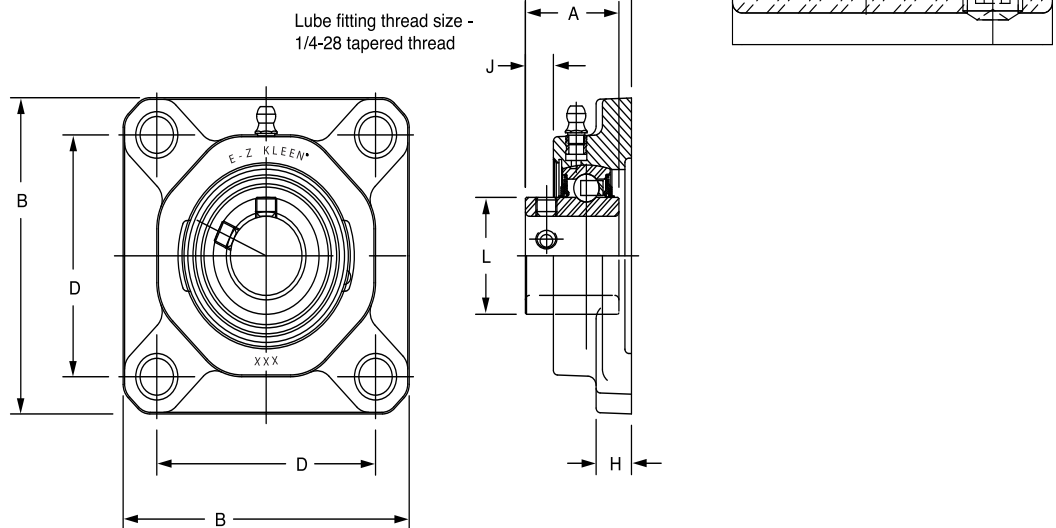
#C dimension will vary slightly depending on true shaft diameter.

FEATURES/BENEFITS PAGE B2-3	HOW TO ORDER/NOMENCLATURE PAGE B2-8	SELECTION/DIMENSIONS PAGE B2-24	ACCESSORIES PAGE B2-77
--------------------------------	--	------------------------------------	---------------------------



# SELECTION/DIMENSIONS

## E-Z KLEEN Mounted Bearings SCEZ NORMAL DUTY POLYMER HOUSED 4-BOLT FLANGE BEARINGS



Series	Shaft Size	With Corrosion Resistant Insert		With Insert With Flingers		Weight lbs kg	A	B	C	D	F Bolt Dia.	H	J	L
		Part No.	Description	Part No.	Description									
204	1/2	<b>073224</b>	F4B-SCEZ-008L-PCR*	@	F4B-SCEZ-008L-P	0.59	1.23	3.38	1.46	2.50	3/8	0.53	0.30	1.12
	5/8	@	F4B-SCEZ-010L-PCR*	@	F4B-SCEZ-010L-P	0.57								
	3/4	<b>127515</b>	F4B-SCEZ-012-PCR	<b>056440</b>	F4B-SCEZ-012-P	0.55								
	20mm	<b>127556</b>	F4B-SCEZ-20M-PCR	@	F4B-SCEZ-20M-P	0.27	31.2	85.9	37.0	63.5	M10	13.5	7.6	28.4
205	7/8	<b>068424</b>	F4B-SCEZ-014-PCR*	@	F4B-SCEZ-014-P	0.71	1.34	3.75	1.52	2.75	3/8	0.54	0.36	1.32
	15/16	@	F4B-SCEZ-015-PCR*	@	F4B-SCEZ-015-P	0.69								
	1	<b>127516</b>	F4B-SCEZ-100-PCR	<b>058910</b>	F4B-SCEZ-100-P	0.67								
	25mm	<b>127557</b>	F4B-SCEZ-25M-PCR	@	F4B-SCEZ-25M-P	0.32	34.0	95.3	38.6	69.9	M10	13.7	9.1	33.5
206	1-1/8	<b>068053</b>	F4B-SCEZ-102-PCR*	@	F4B-SCEZ-102-P	0.89	1.52	4.25	1.72	3.25	3/8	0.60	0.45	1.57
	1-3/16	<b>127517</b>	F4B-SCEZ-103-PCR	@	F4B-SCEZ-103-P	0.86								
	1-1/4	<b>127518</b>	F4B-SCEZ-104S-PCR	<b>058594</b>	F4B-SCEZ-104S-P	0.84								
	30mm	<b>127558</b>	F4B-SCEZ-30M-PCR	@	F2B-SCEZ-30M-P	0.39	38.6	108.0	43.7	82.6	M10	15.2	11.4	39.9
207	1-1/4	<b>127519</b>	F4B-SCEZ-104-PCR	<b>074632</b>	F4B-SCEZ-104-P	1.40	1.71	4.65	1.84	3.63	1/2	0.62	0.53	1.84
	1-5/16	@	F4B-SCEZ-105-PCR*	@	F4B-SCEZ-105-P	1.35								
	1-3/8	<b>058294</b>	F4B-SCEZ-106-PCR*	<b>065780</b>	F4B-SCEZ-106-P	1.30								
	1-7/16	<b>127520</b>	F4B-SCEZ-107-PCR	@	F4B-SCEZ-107-P	1.24								
	35mm	<b>127559</b>	F4B-SCEZ-35M-PCR	@	F4B-SCEZ-35M-P	0.61	43.4	118.1	46.7	92.1	M12	15.7	13.5	46.7
208	1-1/2	<b>127521</b>	F4B-SCEZ-108-PCR	<b>058595</b>	F4B-SCEZ-108-P	1.82	1.94	5.12	2.10	4.00	1/2	0.67	0.62	2.05
	1-5/8	<b>062628</b>	F4B-SCEZ-110-PCR*	@	F4B-SCEZ-110-P	1.68								
	40mm	<b>127560</b>	F4B-SCEZ-40M-PCR	@	F4B-SCEZ-40M-P	0.76	49.3	130.0	53.3	101.6	M12	17.0	15.7	52.1
209	1-5/8	@	F4B-SCEZ-110L-PCR*	@	F4B-SCEZ-110L-P	2.09	1.94	5.38	2.10	4.13	9/16	0.72	0.62	2.22
	1-11/16	<b>127522</b>	F4B-SCEZ-111-PCR	@	F4B-SCEZ-111-P	2.00								
	1-3/4	<b>057907</b>	F4B-SCEZ-112-PCR*	@	F4B-SCEZ-112-P	1.93								
	45mm	<b>127561</b>	F4B-SCEZ-45M-PCR	@	F4B-SCEZ-45M-P	0.88	49.3	136.7	53.3	104.8	M14	18.3	15.7	56.4
210	1-15/16	<b>127523</b>	F4B-SCEZ-115-PCR	@	F4B-SCEZ-115-P	2.12	1.94	5.62	2.24	4.38	5/8	0.76	0.63	2.43
	2	<b>057899</b>	F4B-SCEZ-200-PCR	@	F4B-SCEZ-200-P	2.03								
	50mm	<b>127562</b>	F4B-SCEZ-50M-PCR	@	F4B-SCEZ-50M-P	0.96	49.3	142.7	56.9	111.2	M16	19.3	16.0	61.7

@ Assembled to order

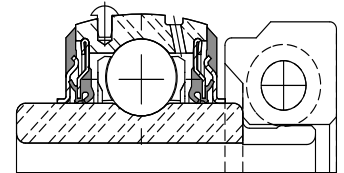
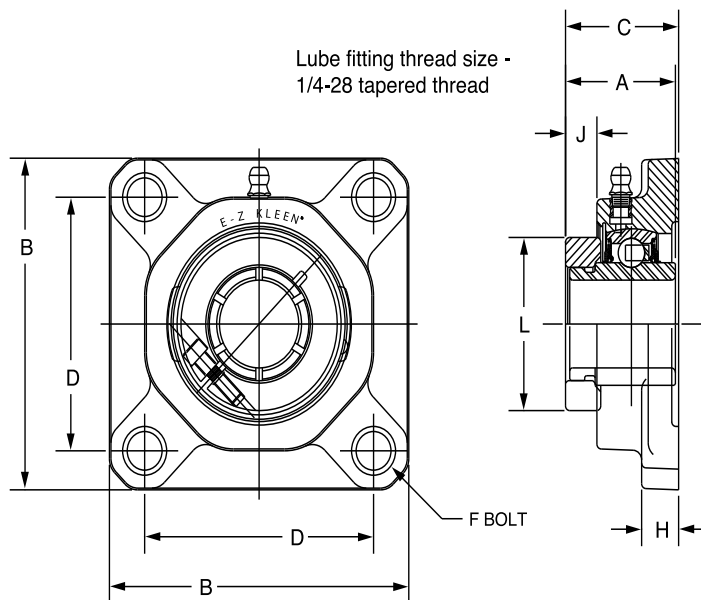
\* 20 piece minimum

FEATURES/BENEFITS PAGE B2-3	HOW TO ORDER/NOMENCLATURE PAGE B2-8	SELECTION/DIMENSIONS PAGE B2-24	ACCESSORIES PAGE B2-77
--------------------------------	--	------------------------------------	---------------------------

# SELECTION/DIMENSIONS



## E-Z KLEEN Mounted Bearings DLEZ NORMAL DUTY POLYMER HOUSED 4-BOLT FLANGE BEARINGS



Series	Shaft Size	With Corrosion Resistant Insert		Standard Insert With Fingers		Weight lbs kg	A	B	C	D	F Bolt Dia.	H	J	L
		Part No.	Description	Part No.	Description									
204	3/4	<b>127593</b>	F4B-DLEZ-012-PCR	@	F4B-DLEZ-012-P	0.50	1.28	3.38	0.37	2.50	3/8	0.53	1.49	1.71
	20mm	<b>127634</b>	F4B-DLEZ-20M-PCR	@	F4B-DLEZ-20M-P	0.30	32.5	85.9	9.4	63.5	M10	13.5	37.8	43.4
205	7/8	@	F4B-DLEZ-014-PCR*	@	F4B-DLEZ-014-P	0.90	1.44	3.75	1.60	2.75	3/8	0.54	0.46	1.99
	15/16	@	F4B-DLEZ-015-PCR*	@	F4B-DLEZ-015-P	0.80								
	1	<b>127594</b>	F4B-DLEZ-100-PCR	@	F4B-DLEZ-100-P	0.70								
	25mm	<b>127635</b>	F4B-DLEZ-25M-PCR	@	F4B-DLEZ-25M-P	0.30	36.6	95.3	40.6	69.9	M10	13.7	11.7	50.5
206	1-1/8	@	F4B-DLEZ-102-PCR*	@	F4B-DLEZ-102-P	1.20	1.56	4.25	1.73	3.25	3/8	0.60	0.49	2.22
	1-3/16	<b>127595</b>	F4B-DLEZ-103-PCR	@	F4B-DLEZ-103-P	1.10								
	1-1/4	<b>127596</b>	F4B-DLEZ-104S-PCR	@	F4B-DLEZ-104S-P	1.10								
	30mm	<b>127636</b>	F4B-DLEZ-30M-PCR	@	F4B-DLEZ-30M-P	0.50	39.6	108.0	43.9	82.6	M10	15.2	12.4	56.4
207	1-1/4	<b>127597</b>	F4B-DLEZ-104-PCR	@	F4B-DLEZ-104-P	1.60	1.75	4.65	1.86	3.63	1/2	0.62	0.58	2.69
	1-3/8	@	F4B-DLEZ-106-PCR*	@	F4B-DLEZ-106-P	1.50								
	1-7/16	<b>127598</b>	F4B-DLEZ-107-PCR	@	F4B-DLEZ-107-P	1.40								
	35mm	<b>127637</b>	F4B-DLEZ-35M-PCR	@	F4B-DLEZ-35M-P	0.70	44.5	118.1	47.2	92.1	M12	15.7	14.7	68.3
208	1-1/2	<b>127599</b>	F4B-DLEZ-108-PCR	@	F4B-DLEZ-108-P	2.00	2.01	5.12	2.15	4.00	1/2	0.67	0.70	2.74
	40mm	<b>127638</b>	F4B-DLEZ-40M-PCR	@	F4B-DLEZ-40M-P	0.90	51.1	130.0	54.6	101.6	M12	17.0	17.8	69.6
209	1-5/8	@	F4B-DLEZ-110L-PCR*	@	F4B-DLEZ-110L-P	2.30	2.01	5.38	2.15	4.13	9/16	0.72	0.69	2.99
	1-11/16	<b>127600</b>	F4B-DLEZ-111-PCR	@	F4B-DLEZ-111-P	2.20								
	1-3/4	@	F4B-DLEZ-112-PCR*	@	F4B-DLEZ-112-P	2.10								
	45mm	<b>127639</b>	F4B-DLEZ-45M-PCR	@	F4B-DLEZ-45M-P	1.00	51.1	136.7	54.6	104.8	M14	18.3	17.5	75.9
210	1-15/16	<b>127601</b>	F4B-DLEZ-115-PCR	@	F4B-DLEZ-115-P	2.30	2.01	5.62	2.29	4.38	5/8	0.76	0.70	3.24
	2	<b>058514</b>	F4B-DLEZ-200-PCR*	@	F4B-DLEZ-200-P	2.20								
	50mm	<b>127640</b>	F4B-DLEZ-50M-PCR	@	F4B-DLEZ-50M-P	1.10	51.1	142.7	58.2	111.2	M16	19.3	17.8	82.3

@ Assembled to order

\* 20 piece minimum

FEATURES/BENEFITS PAGE B2-3	HOW TO ORDER/NOMENCLATURE PAGE B2-8	SELECTION/DIMENSIONS PAGE B2-24	ACCESSORIES PAGE B2-77
--------------------------------	--	------------------------------------	---------------------------